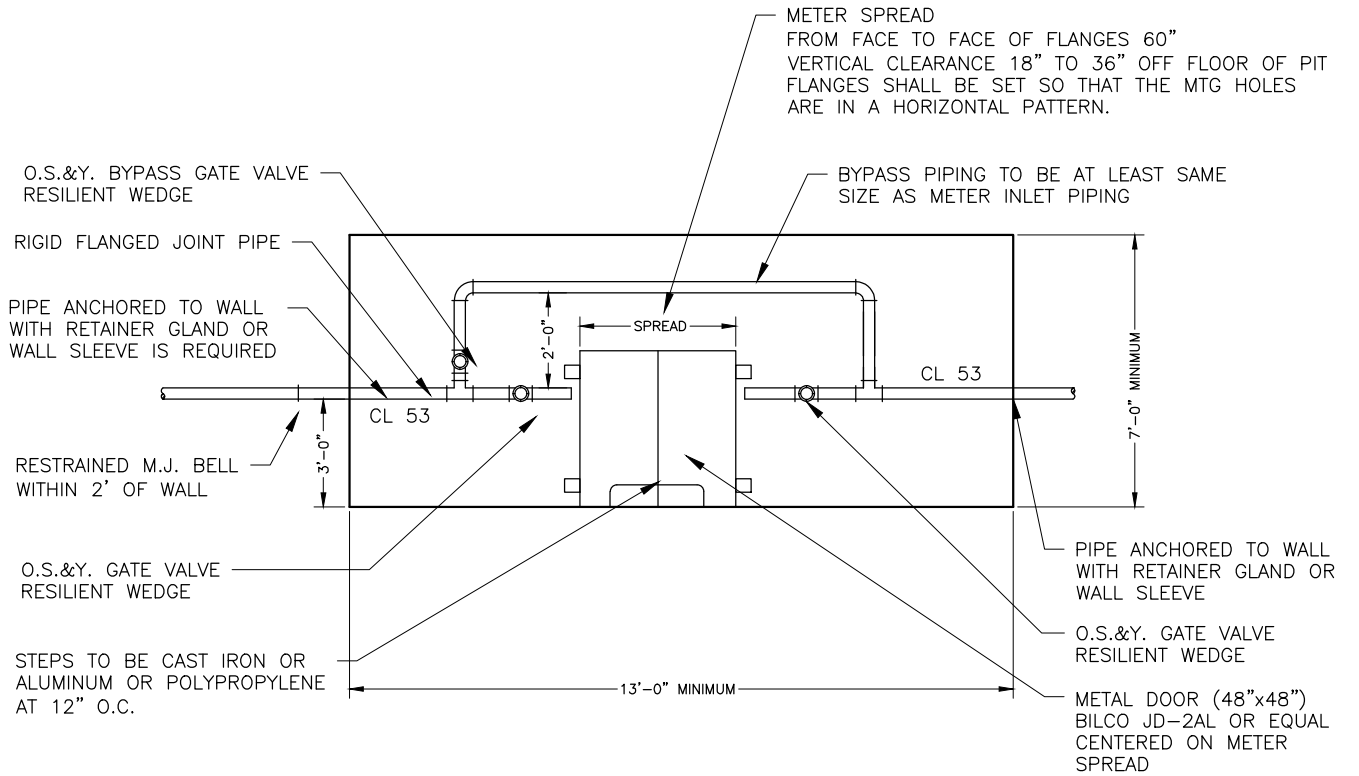


6" & Larger Meter Pit Installation (for Off Road Use Only)



NOTE:

1. DIMENSIONS SHOWN ARE INSIDE MEASUREMENTS OF PIT.
2. ALL PIPE SHALL BE CLASS 53 DUCTILE WITH FLANGED ENDS.
3. ALL VALVES SHALL BE FLANGED END, HANDWHEEL OPERATED, O.S.&Y. GATE VALVES, RESILIENT WEDGE.
4. PIT SHALL HAVE AN INSIDE HEIGHT OF 6' MINIMUM, FROM TOP OF FLOOR.
5. PROVIDE SPREADER FOR PROPER ALIGNMENT ON INSTALLATION OF METER SPREAD.
6. WALLS TO BE FORMED IN-PLACE OR PRECAST CONCRETE.
7. TOP SLAB TO BE DESIGNED BY REGISTERED ENGINEER OR ARCHITECT AND APPROVED BY WATER ENGINEERING.
8. BOTTOM OF PIT SHALL BE A CONCRETE SLAB WITH SUMP HOLE.
9. PIPING AND METER SHALL BE SUPPORTED AS APPROVED BY THE ENGINEER, AND WATER DISTRIBUTION.
10. ALTERNATE DESIGN MAY BE SUBMITTED FOR APPROVAL.
11. CLEARANCE MUST BE PROVIDED FOR COMBINATION SERVICES IN PIT INSTALLATIONS. SUBMIT FOR APPROVAL.
12. PROVIDE ELECTRIC FOR LIGHTING AND PUMPING.
13. ALL METERS MUST INCLUDE STRAINERS. (FIVE PIPE DIAMETERS UPSTREAM OF METER)

GENERAL NOTE: CONTACT ENGINEERING FOR ANY SITUATION
NOT COVERED IN STANDARDS

DRAWING NOT TO SCALE

6" & LARGER METER PIT INSTALLATION

CITY OF BOWLING GREEN
PUBLIC WORKS DEPARTMENT
ENGINEERING DIVISION

STD DWG 15

SH 4 OF 5

REV 10/2013