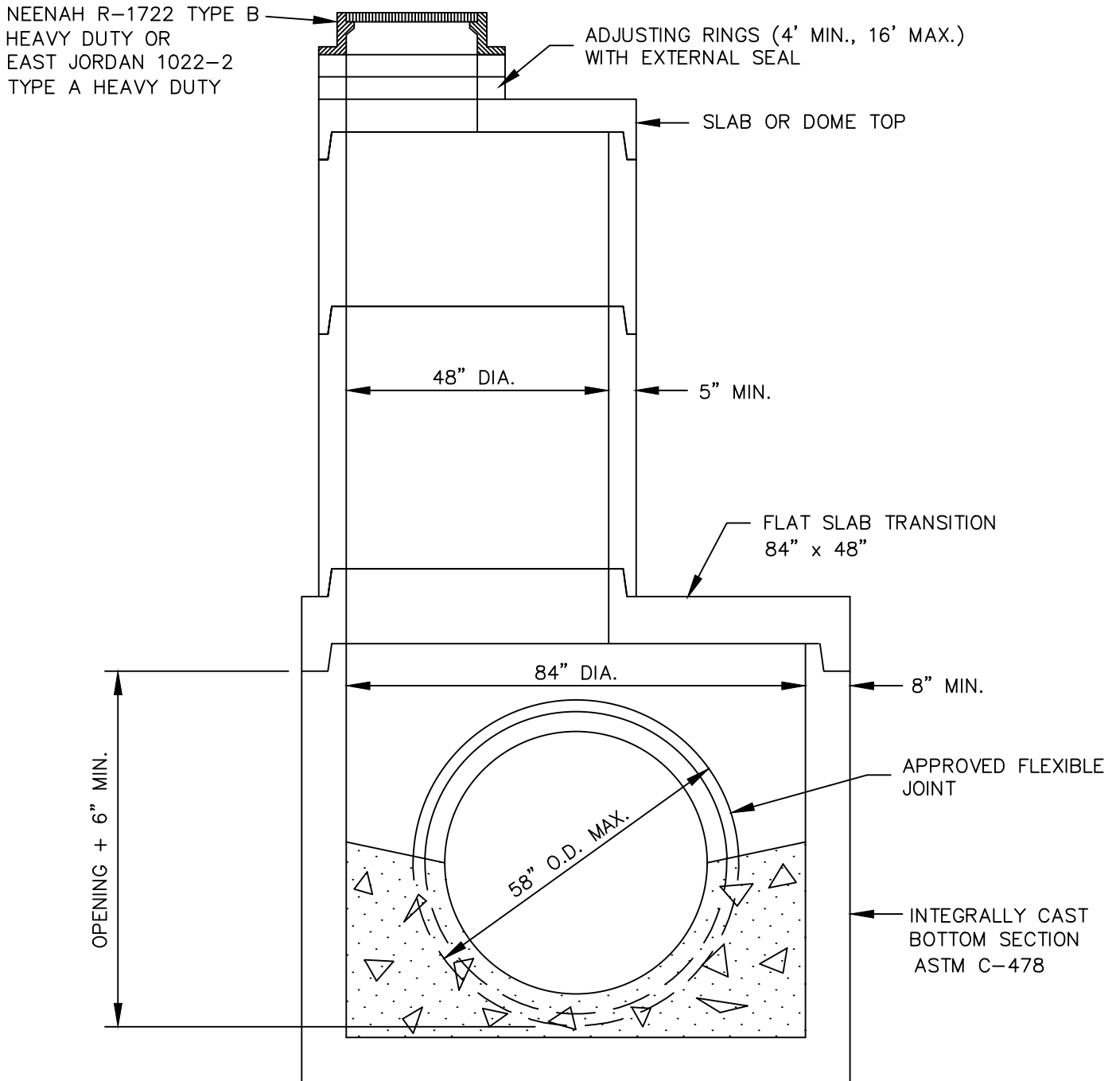


# TYPE MH 3-7



JOINTS BETWEEN SLAB TOP, RISER SECTIONS AND BASE SHALL BE "O" RING TYPE ASTM C-443 CASTING SHALL BE CAST WITH THE WORDS "SANITARY", "SEWER" OR "STORM" AS DIRECTED BY THE ENGINEER.

<b>MANHOLE DETAIL</b>	
CITY OF BOWLING GREEN PUBLIC WORKS DEPARTMENT ENGINEERING DIVISION	STD DWG 3 SH 5 OF 7 REV 1/2015