

FULL RANGE 3M MARKER DISCS WILL BE PROGRAMMED AND PROVIDED BY THE CITY TO THE CONTRACTOR FOR INSTALLATION ALONG THE UTILITY PROJECT.

FULL RANGE MARKER DISCS SHALL BE TIED TO THE UTILITY LINE AT LEAST SIX INCHES (6") ABOVE THE FOLLOWING LOCATIONS:

FOR WATER

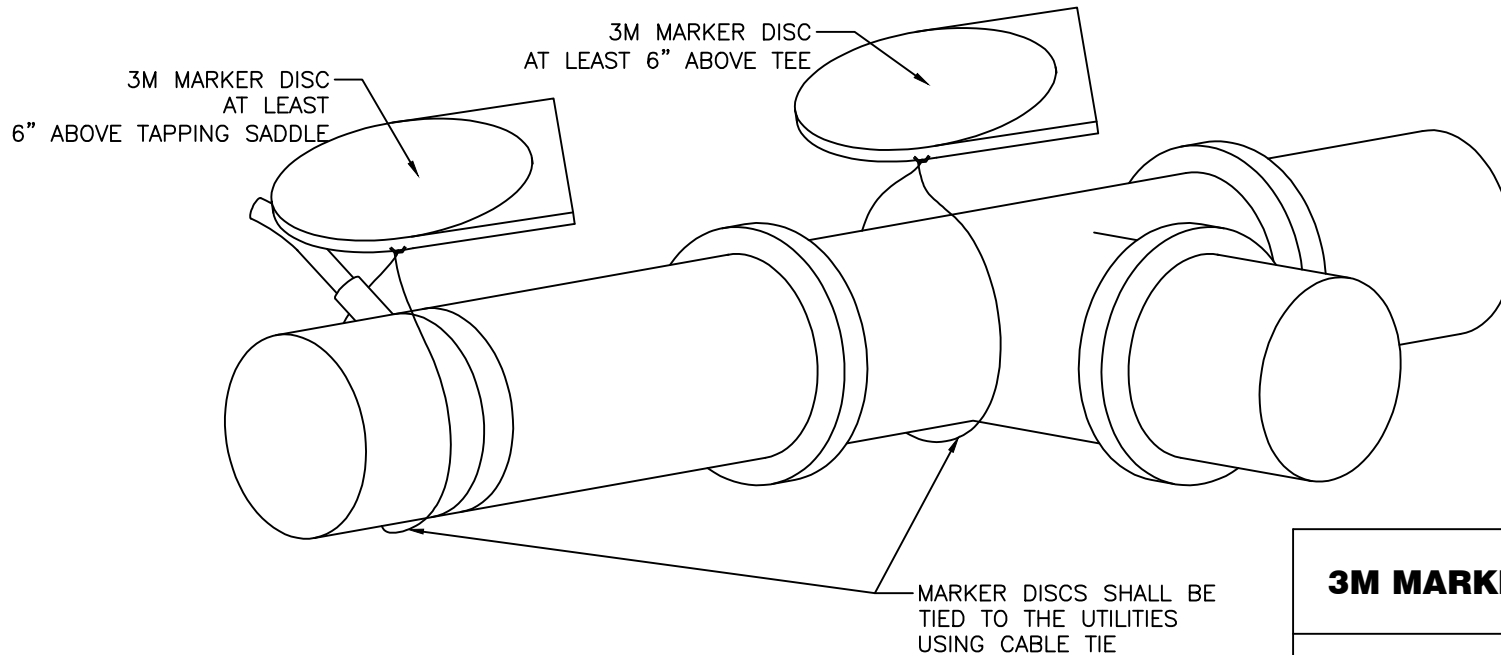
- CROSSES
- TEES
- BENDS (HORIZ. AND VERT.)
- REDUCERS
- TAPPING SADDLES

FOR SEWER

- TEES
- BENDS (HORIZ. AND VERT.)

FOR ELECTRIC

WHEN THE DEPTH OF THE UTILITY IS LESS THAN FIVE (5) FEET, EXTENDED RANGE MARKER BALLS SHALL BE INSTALLED INSTEAD OF THE MARKER DISCS. MARKER BALLS WILL ALSO BE PROGRAMMED AND PROVIDED BY THE CITY.



3M MARKER DISC INSTALLATION

CITY OF BOWLING GREEN
PUBLIC WORKS DEPARTMENT
ENGINEERING DIVISION

STD DWG 18
SH 2 OF 2
REV 6/2017