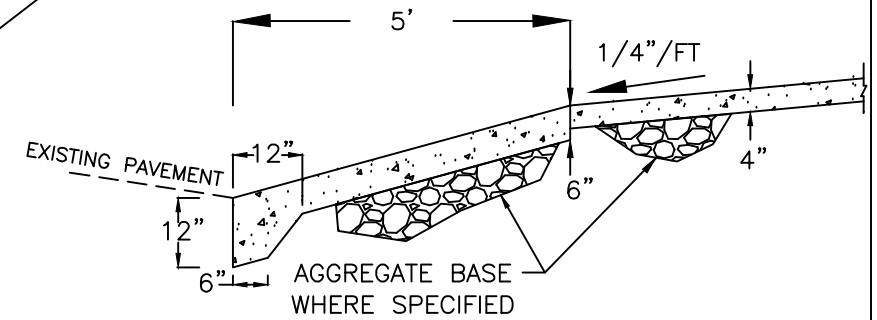
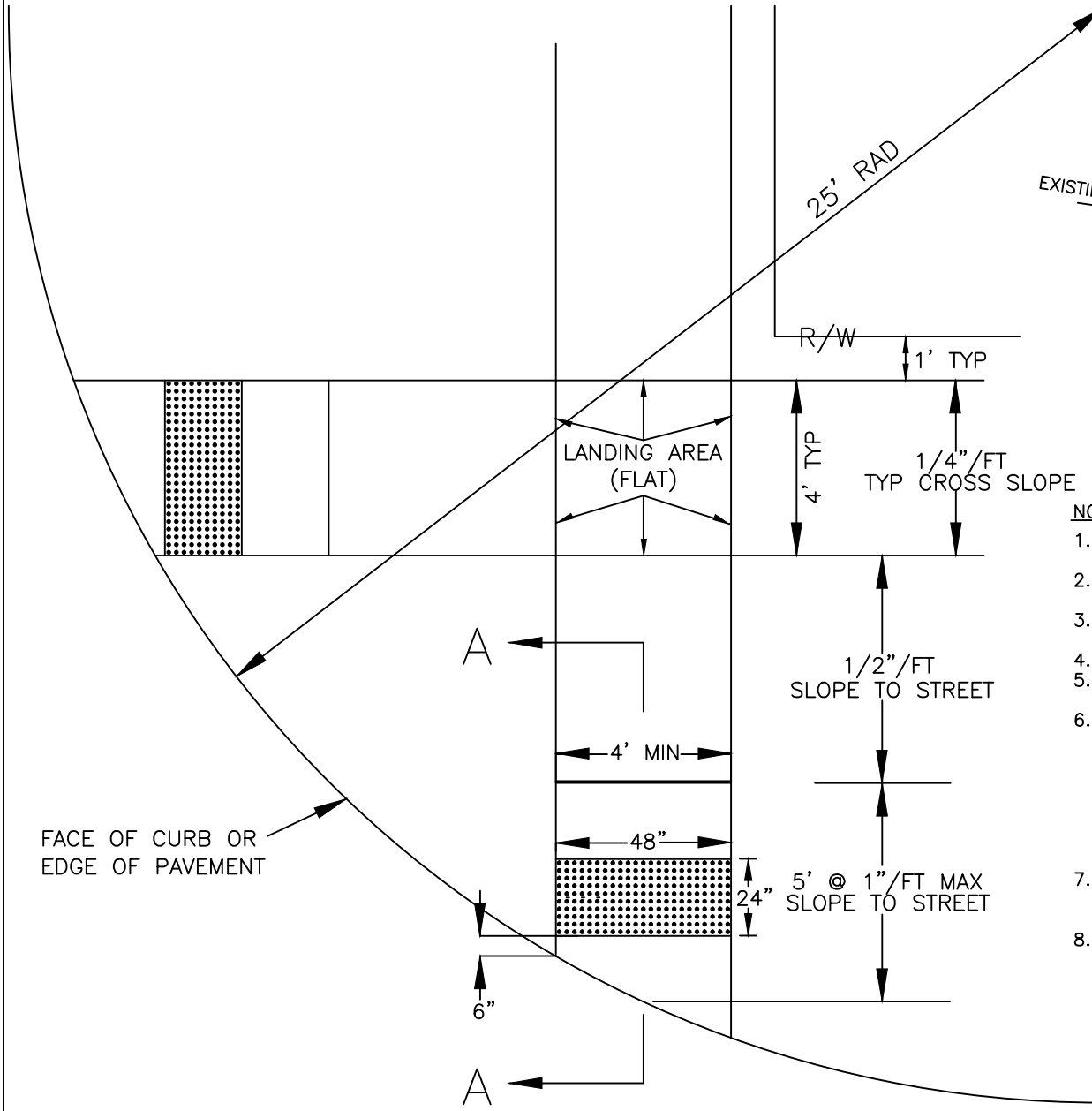


CURB RAMP/DETECTABLE WARNING



SECTION A-A

NOTES:

1. CURB RAMPS MUST BE INSTALLED AT ALL INTERSECTIONS, ALLEYS AND DRIVES WHERE A CURB COULD PRESENT A BARRIER.
2. ALL CURB RAMPS AND SIDEWALKS SHALL BE FINISHED WITH A TRANSVERSE FINE TO MEDIUM BROOM FINISH.
3. NO SLOPE GREATER THAN 1/2" PER FOOT WILL BE ALLOWED EXCEPT LONGITUDINALLY IN THE RAMP AREA AS SHOWN.
4. SIDEWALK WINGS OR FLARES ARE NOT ALLOWED.
5. THE EDGE OF THE CURB RAMP SHALL BE FLUSH WITH THE ADJACENT EDGE OF PAVEMENT OR GUTTER.
6. DETECTABLE WARNING SURFACE (DWS) SHALL BE INSTALLED ON ALL PEDESTRIAN CROSSINGS OF A ROAD, PRIVATE SIGNALIZED DRIVEWAY OR STRIPED CROSSWALK. DWS MAY BE INSTALLED ON NON-SIGNALIZED DRIVEWAY IF DEEMED WARRANTED BY THE OWNER OR THE CITY. ALSO, DWS SHALL BE INSTALLED ON ANY WALK PARALLELING A PUBLIC STREET NOT SEPERATED BY CURBS, RAILINGS, OR OTHER ELEMENTS BETWEEN THE PEDESTRIAN AREAS AND VEHICULAR TRAFFIC.
7. DWS SHALL BE CAST IN PLACE TILE SYSTEMS AS MANUFACTURED BY ADA SOLUTIONS, ARMOR TILE, OR AN APPROVED EQUAL. THE COLOR SHALL BE BRICK RED OR COLONIAL RED.
8. DWS SHALL MEET ADA ACCESSIBILITY GUIDELINES AND CITY STANDARDS.

SIDEWALK DETAIL	
CITY OF BOWLING GREEN PUBLIC WORKS DEPARTMENT ENGINEERING DIVISION	STD DWG 13 SH 2 OF 2 REV 09/2014