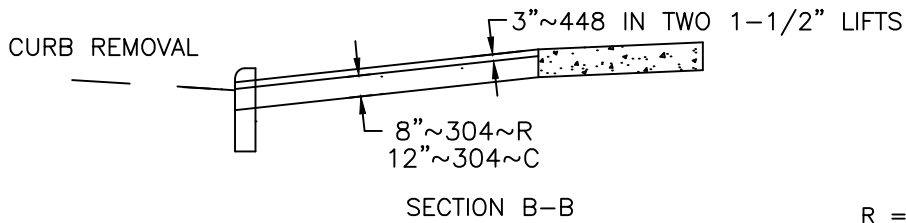
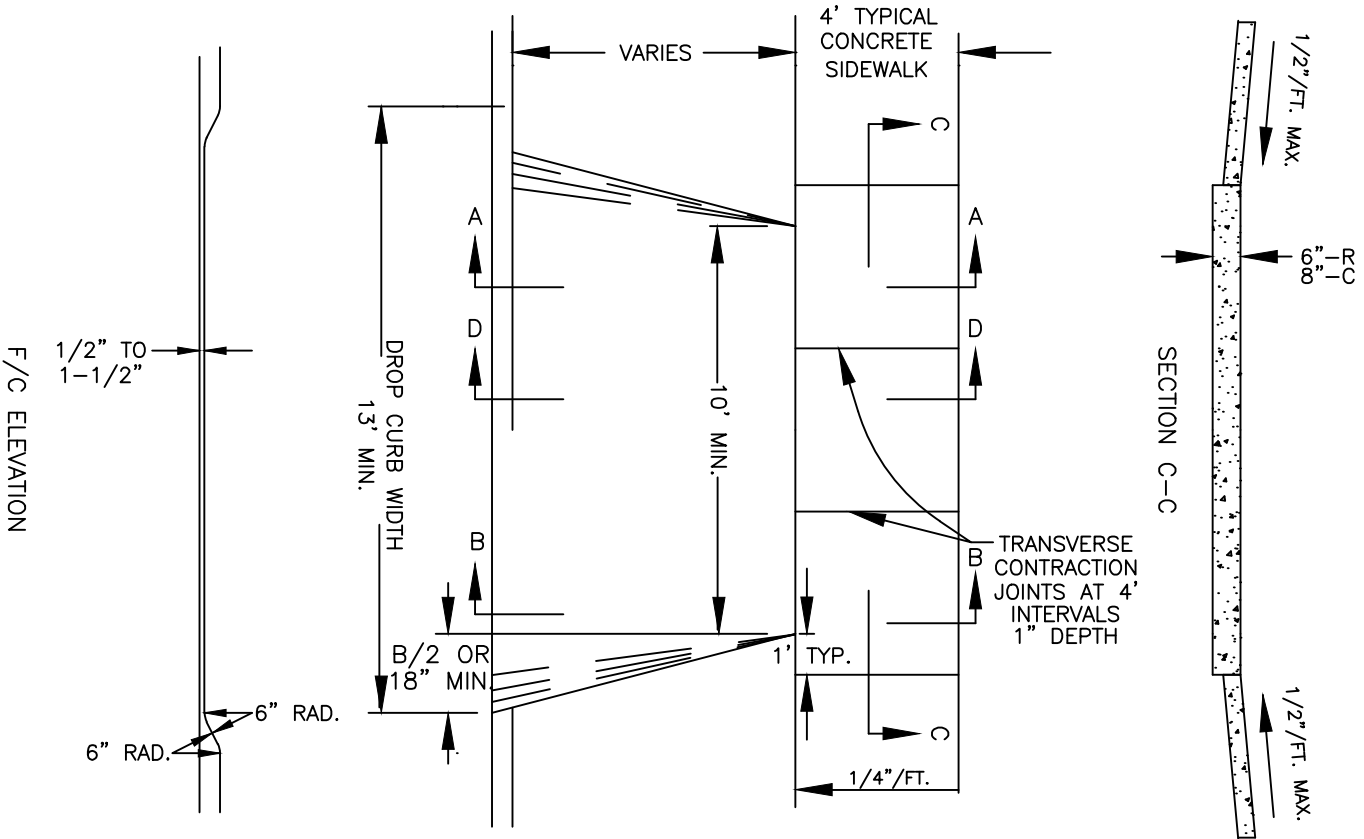
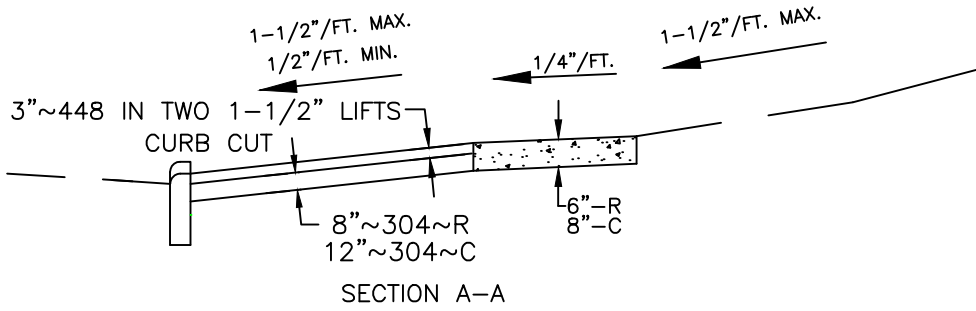
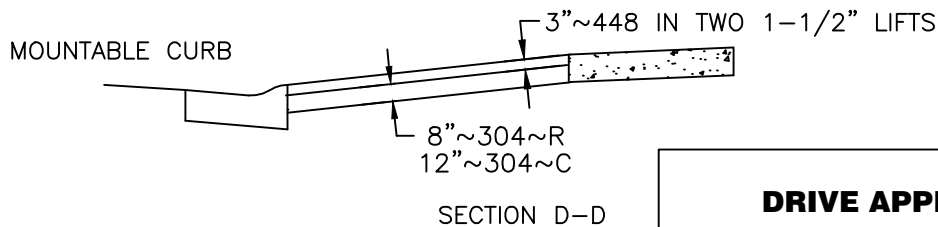


ASPHALT DRIVE APPROACH



R = RESIDENTIAL
C = COMMERCIAL



DRIVE APPROACH DETAIL

CITY OF BOWLING GREEN
PUBLIC WORKS DEPARTMENT
ENGINEERING DIVISION

STD DWG 12
SH 2 OF 2
REV 09/2014