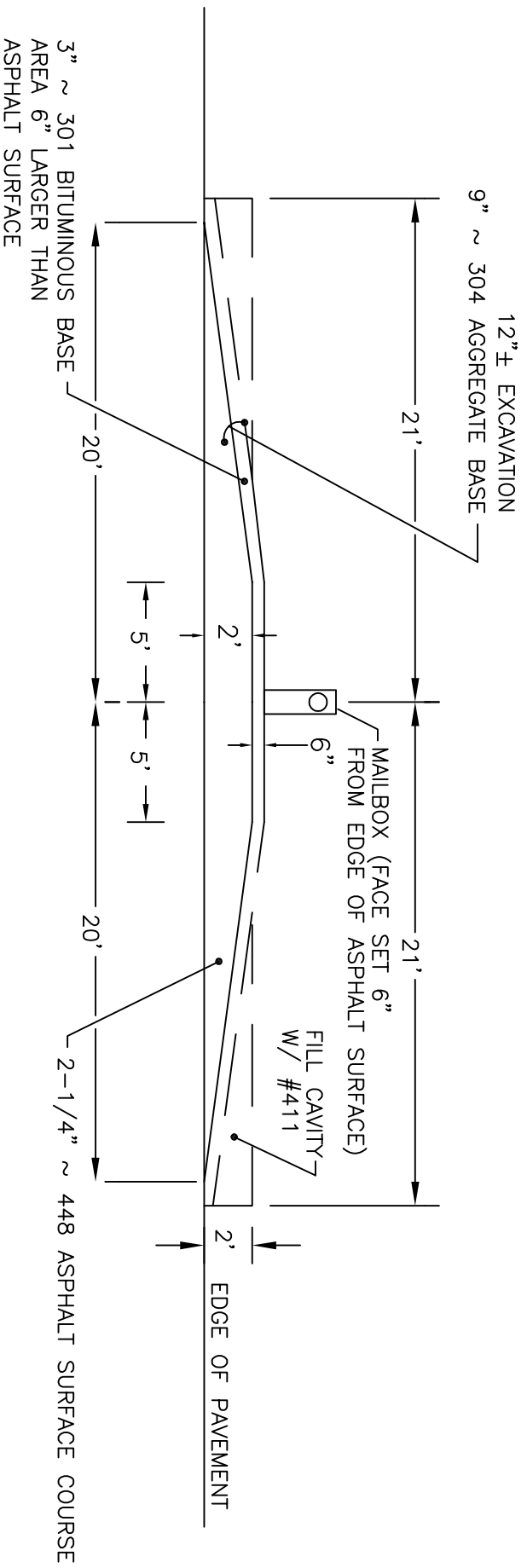


TYPICAL MAILBOX PULL-OFF AREA



MAILBOX DETAIL

CITY OF BOWLING GREEN
 PUBLIC WORKS DEPARTMENT
 ENGINEERING DIVISION

STD DWG 14
SH 3 OF 3
REV 10/2008